



# Datasheet

## Super LED Satellite



CAT. NO. 685030/LI, 685031/LI, 685032/LI, 685033/LI



Cat. No.	685030/LI	685031/LI	685032/LI	685033/LI
Colour	Grey	Black	Grey	Black
Type	STANDALONE		AXIOM	
Operating Mode	Non-maintained			
Nominal Input Voltage	230 - 240 V a.c. 50Hz			
Battery	Li-ion 12.8 V 1.5 Ah			
Inrush Current	5 A			
Power Consumption	5.2 W			
Light Source Life (LSL)	100,000 hrs			
Operating Temperature	10° C to 40° C			
Lighting Classification	C <sub>0</sub> /C <sub>90</sub> D100			
Body Construction	Polycarbonate			
IP Rating	IP65			
IK Rating	IK07			
Compliance	AS/NZS2293, AS/NZS60590			
Product Marking	 			

# Super LED Satellite

CAT. NO. 685030/LI, 685031/LI, 685032/LI, 685033/LI



## FEATURES

- Suitable for high ceilings and large areas.
- iSmart™ temperature sensing technology for Li-ion battery.
- Electronics designed to lengthen the life of the battery.
- Several mounting options: surface, wall bracket, suspension rod or suspension wire.
- Available in grey and black finish.
- One high brightness LED.
- D100 Emergency classification.
- 5 Year Warranty.
- Design and Manufactured in Australia.

Cat. No.	Description
<b>Standalone</b>	
685030/LI	Super LED Satellite, D100, IP65, Surface Mounting - Grey
685031/LI	Super LED Satellite, D100, IP65, Surface Mounting - Black
<b>Axiom</b>	
685032/LI	Super LED Satellite, D100, IP65, Surface Mounting - Grey
685033/LI	Super LED Satellite, D100, IP65, Surface Mounting - Black
<b>Accessories</b>	
686266	Suspension Rod Kit, 1200mm length - Grey
686267	Suspension Rod Kit, 3000mm length - Grey
686268	Suspension Rod Kit, 1200mm length - Black
686269	Suspension Rod Kit, 3000mm length - Black
685034	Suspension Wire Kit - Grey
685035	Suspension Wire Kit - Black
685036	Wall Bracket - Grey
685037	Wall Bracket - Black

## SPACING TABLE

Maximum spacing between luminaries for 0.2lux (Australia)

Mounting Height	9m	10m	15m
D100	34.5m	35.2m	36.5m

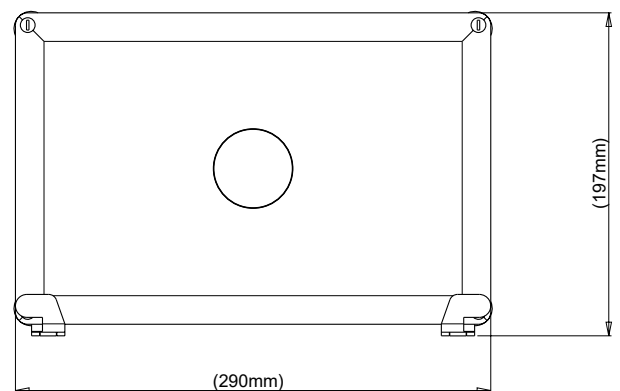
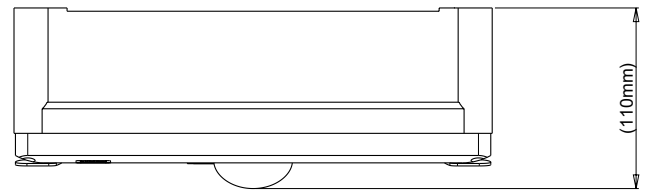
As per AS/NZS 2293:2018

Maximum spacing between luminaries for 1lux (New Zealand)

Mounting Height	9m	10m	15m
D100	15.4m	14.4m	-

As per AS/NZS 2293:2018

## DIMENSIONS



Legrand - Australia  
1300 369 777  
www.legrand.com.au  
ABN 31 000 102 661

Legrand - New Zealand  
0800 476 009  
www.legrand.co.nz

Refer to your group buying office, Legrand Sales Representative or Legrand Sales Office for pricing.

LEG2419/B

Please note: specifications are subject to change without prior notice.

09\_2020